

Installation Manual

Electric Roller ER 2/20 **with standard guide rails**

Please follow these instructions

For your safety



- There are live electrical parts inside the roller box. Make sure that before opening the box that it has been disconnected from the power (switching off the corresponding fuse, etc.)
- The connection of the motor may only be carried out when it is disconnected from power.
- When working under raised parts or work equipment, they must be secured with suitable devices against dropping.
- The insect screen is not suitable as an anti-fall device.
- With the "muted door" option, the magnets can influence the function of heart pacemakers and implanted defibrillator. If you carry a pacemaker keep a sufficient distance from the magnets. Required instructions are included in the manuals for these devices.
- The assembly may only be carried out by qualified personnel.

General Information



- The roller screen must not be operated with radio-controlled motors in areas with an increased risk of malfunctioning (hospitals, airports).
- No changes, attachments or conversions may be made to the product.
- Check the parts are in good condition before installing. Do not install damaged parts.
- Operating elements, such as blind buttons or radio hand transmitters, may be mounted at a maximum height of 1.3m.

Please read this installation instructions carefully, as we assume no liability for errors caused by incorrect installation! Use only stainless steel screws for mounting.

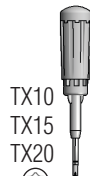
Parts



RK 4,2 x 25
15 03 42.25.TX



17 03 60
Hole
puncher



TX10
TX15
TX20

Screwdriver
and torx bits



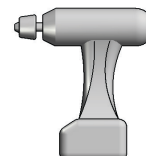
Telescopic
measuring rod



17 03 40
Measuring
tape



12 25 08.02
PE Sealing
tape



Power
drill



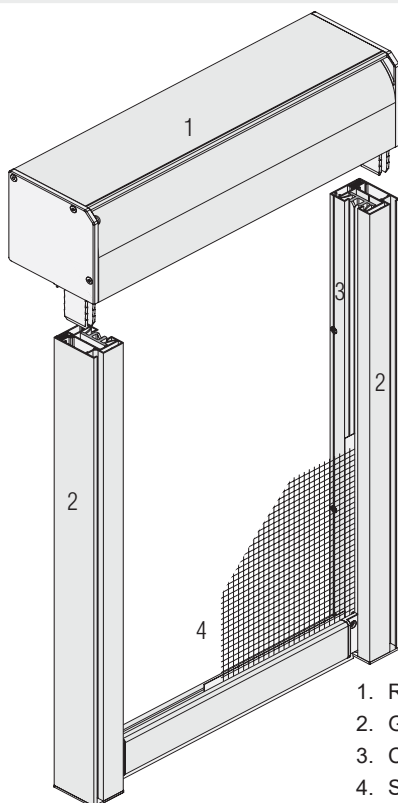
Countersink
ø 9.8mm
HSS Aluminium drill
ø 4.5 mm
ø 3.5 mm
Masonry drill
ø 6 mm



Spirit level

Recommended tools

Overall view



1. Roller screen box
2. Guide rails
3. Cover plates
4. Screen mesh

Self-supporting installation

The roller screen box is self-supporting itself with the guide rails and does not require to be screwed on separately if the width is no more than 2000 mm. If the roller box is larger than 2000mm a small hole will need to be screwed from the top of the head box and then secured in place from the underside.

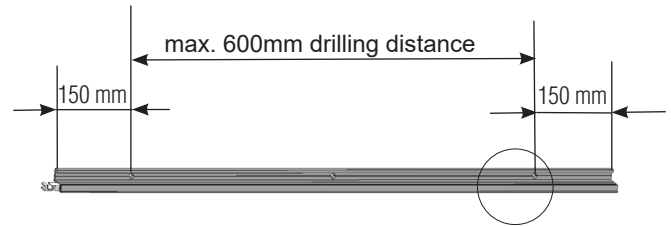
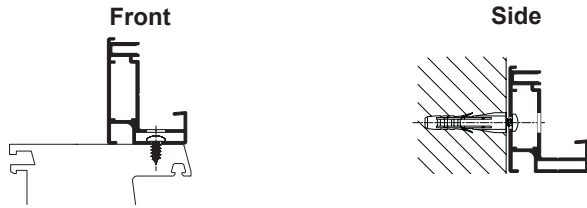
Installation Manual

Electric Roller ER 2/20 **with standard guide rails**

LAROS[®]
TECHNOLOGIES



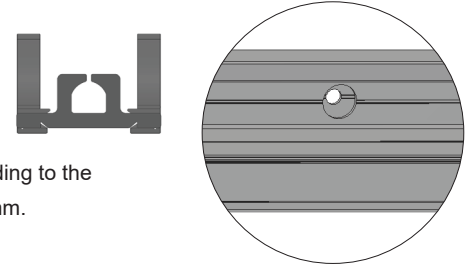
1 Guide rails with mounting holes If mounting holes are present, continue with step 2



Example of mounting holes from the side.

❶ Unscrew the cover plates from the base profiles of the guide rails and lay them down on their side together with the plastic guide profiles.

⚠ The plastic guides are to be laid out flat. Do not put on the clips



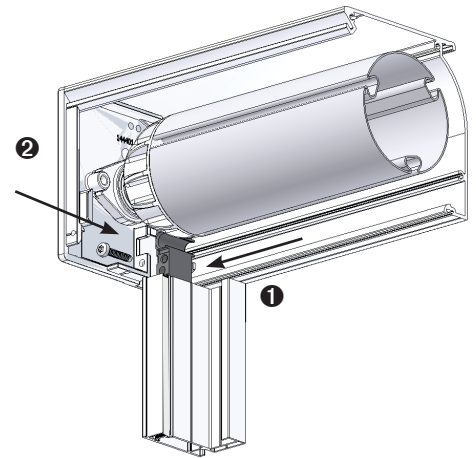
❷ With a drill size of $\varnothing 4.5$ mm, drill the guide rails from the inside into the drill grooves according to the specified dimensions. Then countersink the first profile wall with the countersink size of $\varnothing 9.8$ mm.

2 Self-supporting assembly

👍 To minimise vibration noise, apply a strip of PE sealing tape onto the back of the box.

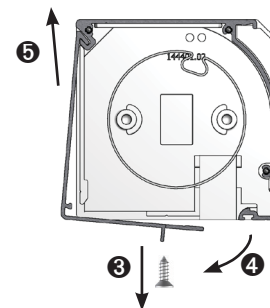
👍 Unscrew the left and right screws on the box panel ❸ unclip the box panel ❹ push it upwards ❺ and then carefully lay it on its side.

❶ Fit the base profile of guide rails into the end cap of the headbox. Screw round head screws RK 4.2 x 25 mm from the front and secure the connection ❷.



Raise the assembled electric fly-screen and bring it into the mounting position.

⚠ Guide rails must always be precisely straight and parallel.



Installation Manual

Electric Roller ER 2/20 **with standard guide rails**

LAROS[®]
TECHNOLOGIES



3 Screw on the electric roller (from the front)



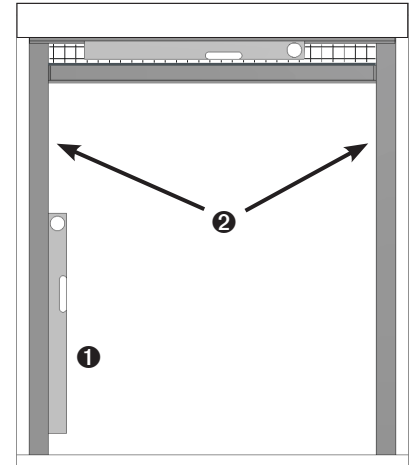
Check the requirements for the electrical connection, we advise you use a qualified electrician to do this.

- 1 Place the electric roller box horizontally and the base profiles vertically aligned to the wall.



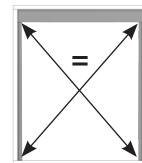
For precise alignment, use the telescopic measure rod or long spirit level.

- 2 Mark the drilling holes above and below with a hole puncher, then pre-drill the surface and screw with the mounting screws.



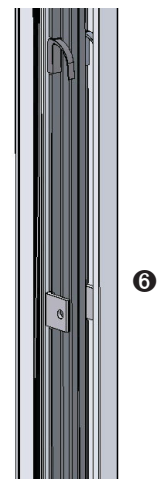
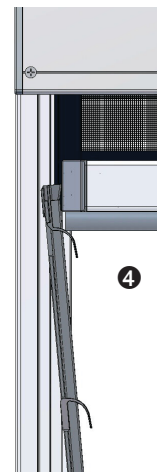
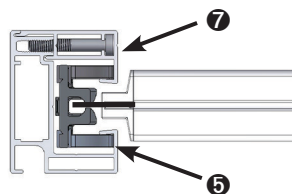
Pre-drill timber or UPVC windows with a drill size of \varnothing 2.2mm

- ! Pay attention to the parallel alignment of the guide rails. Adjust the diagonal lengths!



- 3 Tighten up the mounting screws, make sure they are secure. Check the clear dimensions between the guide rails +/- 1mm.

- 4 Insert the plastic guide profile with the end pieces in the zips of the weight bar and install the the guide profiles in the basic profile of the guide rails.



- 7 Refit the cover profiles back onto the base profile, make sure that it is flush at the bottom with the base profile. Screw into place.

Installation Manual

Electric Roller ER 2/20 **with standard guide rails**

LAROS[®]
TECHNOLOGIES



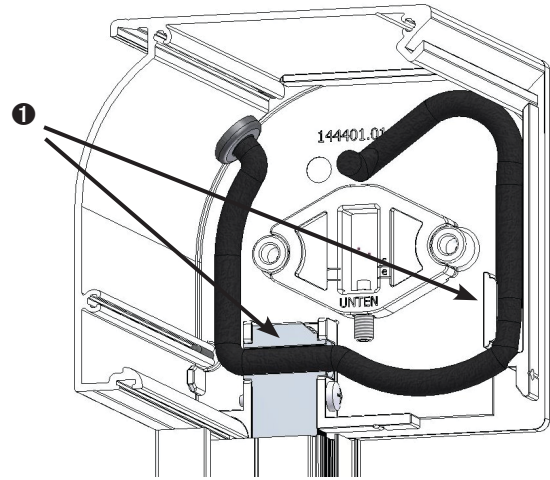
4 Cable testing and securing the box

⚠ DANGER - Correct position of the motor cable ⚠

- 1 Check whether the cable rests against the box-cap inner wall and is clipped in the two cable guides (see picture).



Danger - due to electric shock!



- 2 Switch on the power again and put the electric motor into operation as described in the enclosed adjustment instructions.

For screens wider than 2000mm, secure the box to the top by putting a screw directly through the top of the box into the timber above. If installing onto aluminum cladding the hole in the aluminum cladding should be pre-drilled as well.

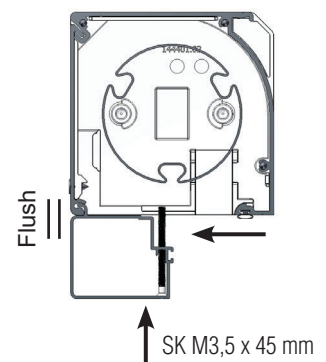
- ⚠ Use a manual screwdriver. Do not damage the fabric.

5 Setting the end positions

Perform lower and upper end position of the mesh rail using the enclosed adjustment instructions.

Insert box cover again, fold up or snap it in place, and screw on left and right side.

- ⚠ When inserting the box panel, make sure that the side guide rails are not scratched.



6 Control - Fabric rail in upper end position

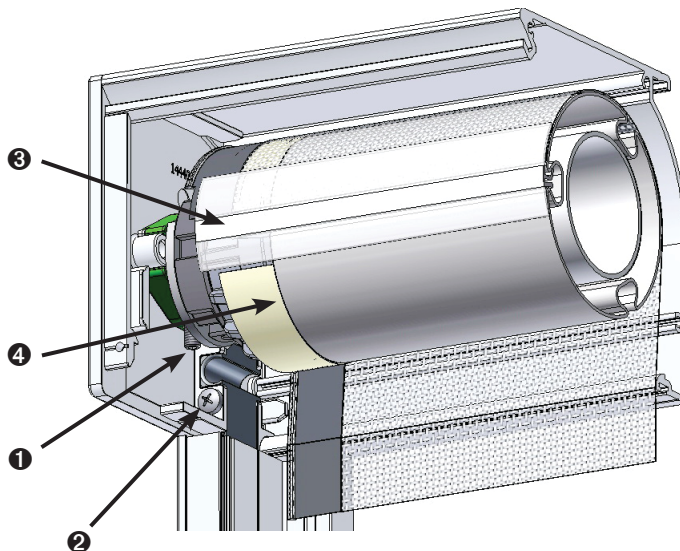
- ⚠ After setting the end positions, check whether the fabric rail is just closing in the upper end position or possibly hanging on one side further down.

If the fabric rail hangs down on one side (> 4mm), please check the following:

- Minor adjustments of <4mm can be corrected with the adjusting screw on the green motor pin adapter. To do this, turn the adjusting screw **1** with a 2.5 mm Allen key upwards or downwards. Maximum setting range = 4 mm.
- The guide rail must be secured on both sides by the round head screw RK 4.2x25 mm **2** in the box cap with the plastic pin. See **2** sub-items **1** and **2**.
- Side guide rails must be aligned with the outside of the box cap (ER 2/20 and 2/30).
- The fabric must be exactly balanced in width on the steel shaft profile. If the over hang on one side is more than 2mm, clear the end positions and unroll the fabric rail until the end of the fabric end is visible and accessible with the bead track. Transfer fabric, if necessary loosen click bead **3**. Reset the end positions.
- The box must be mounted precisely horizontal.
- Guide rails must be mounted precisely vertical and the clear dimension must not exceed a tolerance of +/- 1 mm.
- Internal plastic guide profiles are flush with the side guide rail at the bottom and have a distance of approx. 4-5 mm from the top at the top.

If the fabric rail is slanted despite the instructions mentioned above, we recommend the following:

- Remove the box cover if necessary.
- Clear the end positions and move the fabric bead so the upper end of the fabric is visible and accessible with the bead track.



- On the side where the fabric is too low the diameter of the cylinder must now be increased on the shaft adapter.
- To adjust by **5 mm**, glue one layer of the mesh tape 213401.19 on the shaft adapter.
- Align the edge of the tape flush with the end of the steel shaft profile **4**. The respective position is interrupted by the upper end of the fabric (bead track **3**). Reset the end positions.
- The lean of the fabric rail can be assessed only after the second run.